

Warnings

1. Do not connect/disconnect input or output wiring while powered
2. Do not connect APT Programmer while APT controller is powered by DC power source
3. Follow ESD protection procedures while handling input or output wiring, and programming port
4. Do not attach an AC input to the APT controller; DC input only
5. Use only with a driver providing an isolated DC output (ie. the output has no earth or protective ground reference).
6. Read and respect all voltage, current and power limits outlined in the electrical specifications section of the hardware version being used
7. Carefully follow and check all wiring diagrams in this document for the correct hardware version being used

Mechanical Specifications

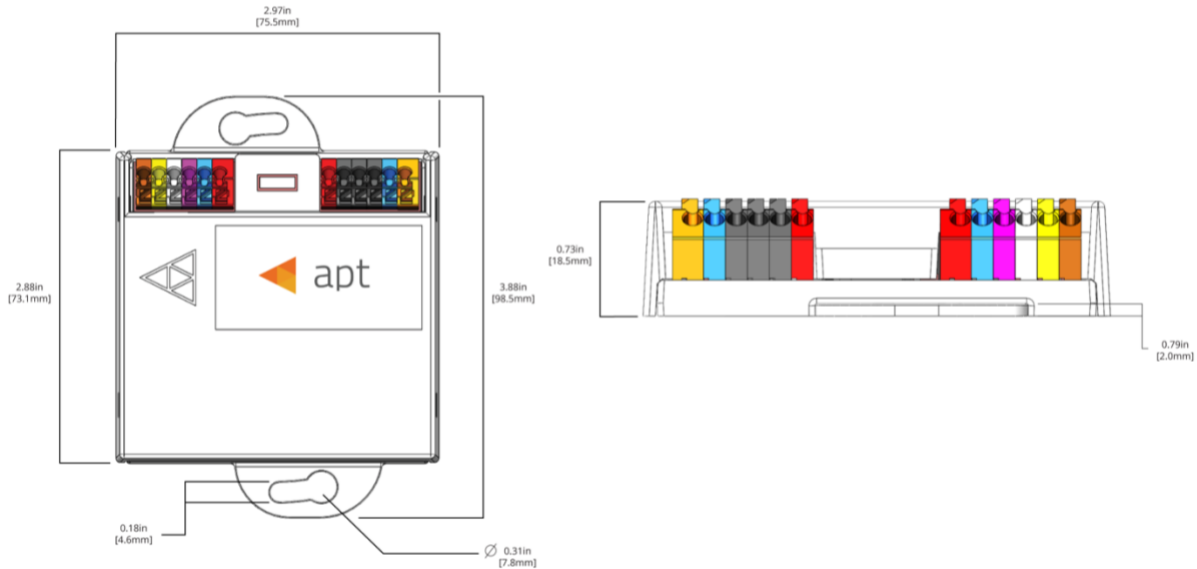


Figure 1 - APT-CV4-Vx-SQ Mechanical Drawing

Dimensions	Inches
Length	2.97
Width	3.88
Height	0.73

APT-CV4-VA-SQ MODULE (DMX512/RDM)

Electrical Specifications

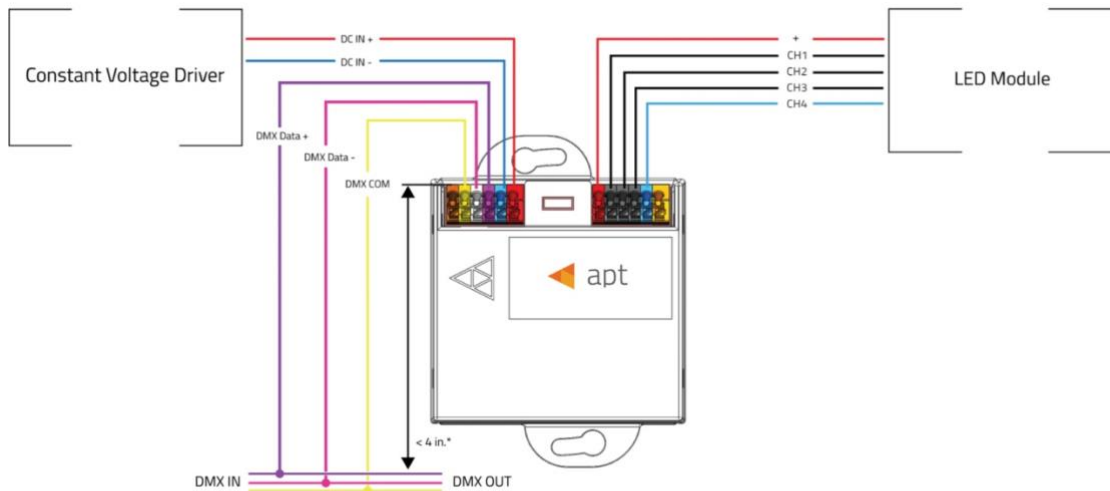
Input

Port	Voltage		V	Current		mA	Power	
	Min	Max		Min	Max		Min	Max
DC IN +/-	10	60	V	87	4,100	mA	-	100 W
DMX Data+	-10	15	V	-0.8	1	mA	-	-
DMX Data-	-10	15	V	-0.8	1	mA	-	-

Output

Port	Voltage		V	Current		mA	Power	
	Min	Max		Min	Max		Min	Max
+	-	58	V	0	4,013	mA	-	100 W
CH1	-	58	V	0	3,200	mA	-	-
CH2	-	58	V	0	3,200	mA	-	-
CH3	-	58	V	0	3,200	mA	-	-
CH4	-	58	V	0	3,200	mA	-	-

Wiring Diagram



*If no DMX splitter or amplifier is used, splitting between DMX IN/OUT should be done within 4 inches of the APT controller input connector to prevent line reflectance.

Figure 2 - APT-CV4-VA-SQ DMX512/RDM Configuration

1. Please follow all best practices for DMX wiring to ensure correct operation of the system such as using shielded wires and proper termination resistance for DMX daisy chain.
2. APT controller acts as a floating device as per ANSI E1.11 – 2008. Use only with a driver with an output not referenced to earth or protective ground (ie. isolated output).
3. It is recommended that each fixture should have DMX IN and DMX OUT wires to allow for installation in a DMX daisy chain*.
*Exception for installations where a splitter or amplifier will be used for each DMX branch
4. If no DMX splitter or amplifier is used, splitting between DMX IN/OUT should be done within 4 inches of the APT controller input connector to prevent line reflectance.

Wiring	AWG
Input, Output	16-22

INPUT, OUTPUT



7.5-8.5mm wire preparation

DMX Address Assignment

Enabled Features	Required DMX Channels
Independent Channel Control	One DMX address is required per available output channel
Calibrated CCT Control	Two additional DMX addresses are required if calibrated CCT mapping is enabled, one for controlling the CCT and one for controlling the overall light intensity

Schemes

Schemes for DMX [y]	# of DMX Channels	DMX Address Assignment					
		Base	+1	+2	+3	+4	+5
1	2	CCT	INT	-	-	-	-
2	3	R	G	B	-	-	-
3	4	R	G	B	W	-	-
4	6	R	G	B	W	CCT	INT

LEGEND					
Red	R	White	W	CCT Control	CCT
Green	G			Intensity Control	INT
Blue	B				

1. The assigned DMX addresses are customizable. The above table is a list of the default schemes available.
2. Changing the DMX Address Assignment does not change the physical wiring of the controller to the LED module. Please refer to Figure 3 for RGBW wiring application.

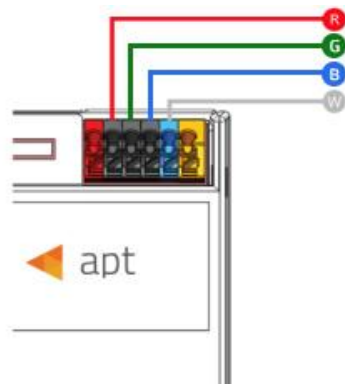


Figure 3 - Wiring APT-CV4-VA-SQ to RGBW LED Module

Operating Conditions

Temperature Limits	
Max Temperature, Tc	75°C
Min Ambient Temperature, Ta	-40°C

*Temperature Limits valid when electrical limits are respected and mounting surface is kept at 75°C or below



Fig. 4 - Tc is measured on metal sleeve of micro-USB programming port in location specified above

Ordering Information

Product Code	Description
APT-CV4-VA-SQ-<i>www</i>	VA – DMX512/RDM hardware version SQ – Square form factor <i>www</i> – Firmware code provided by Arkalumen

Configuration Code	Description
DMXn-<i>Ammm</i>-<i>tttt</i>-1Cxxx-2Cxxx-3Cxxx-4Cxxx	DMXn – DMX Address Assignment Scheme <i>Ammm</i> – Base DMX address <i>tttt</i> – Output control feature <i>yCxxx</i> – Channel-specific max current

Configuration Code Details

Code	Description	Option	Configuration Trait
DMXn	DMXn denotes DMX wired communication using DMX Address Assignment Scheme <i>n</i> .	DMXn	DMX Address Assignment Scheme <i>n</i> . See Schemes under DMX Address Assignment on page 9.
Ammm	<i>mmm</i> denotes the base address of the controller on a DMX bus.	A001	Lowest base address option
		A###	Base address specified between 1 and 512
		A512	Highest base address option
tttt	<i>tttt</i> denotes the output control features enabled on the controller.	0000	Calibrated CCT mapping disabled
		CALC	Calibrated CCT enabled. Calibrated CCT can be customized to output specific desired light metrics.
yCxxx	<i>yCxxx</i> denotes the maximum current for channel <i>y</i> as configured in the controller's firmware in 20mA increments.	1C###	Maximum current specified up to 3,200mA. e.g. -1C200-2C030-3C030-4C030 would specify 2000mA max current for channels 1, and 300mA for channels 2, 3 and 4.
		2C###	
		3C###	
		4C###	

APT-CV4-VWC-SQ MODULE (WIRELESS)

Electrical Specifications

Input

Port	Voltage		V	Current		mA	Power		W
	Min	Max		Min	Max		Min	Max	
DC IN +/-	12	60		45	4,100		-	100	

Output

Port	Voltage		V	Current		mA	Power		W
	Min	Max		Min	Max		Min	Max	
+	-	58		0	4,055		-	100	
CH1	-	58		0	3,200		-	-	
CH2	-	58		0	3,200		-	-	
CH3	-	58		0	3,200		-	-	
CH4	-	58		0	3,200		-	-	

Wireless Operating Conditions ¹	
Maximum Transmitter Power	+4dBm
Operating Frequencies	2.4GHz
Maximum Open-Air Range	270m

Contains modular transmitter with FCC ID: X8WBM832, IC (Industrial Canada) ID: 4100A-BM832

Wireless signal range of the controller will decrease if placed in a metal enclosure or placed near other wireless devices operating at similar frequencies, keep the VWx controller at least 20cm away from other VWx controllers or wireless devices. The end product with this module may subject to perform FCC part 15 unintentional emission test requirement and be properly authorized.

This device is intended for OEM integrator only.

If used with ANT020 antenna or integrated PCB trace antenna, device does not require routine evaluation or SAR testing.

Wiring Diagram

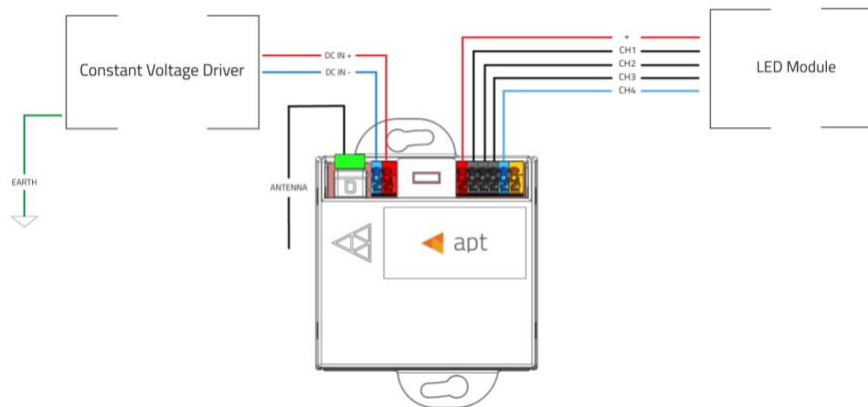
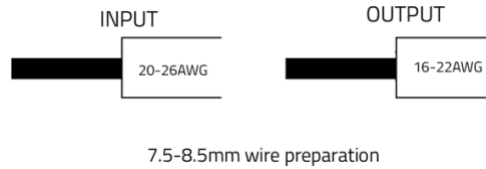


Figure 5 - APT-CV4-VWC-SQ Wireless Communication Configuration

Wiring	AWG
Input	20-26
Output	16-22
Antenna	ANT020*

*Integrated embedded PCB trace antenna option available on request, ANT020 antenna does not come with device by default, please include request for antenna if necessary



Operating Conditions

Temperature Limits	
Max Temperature, Tc	75°C
Min Ambient Temperature, Ta	-40°C

*Temperature Limits valid when electrical limits are respected and mounting surface is kept at 75°C or below

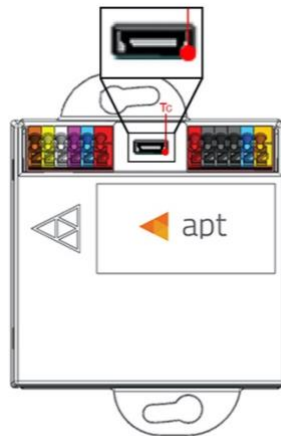


Fig. 6 - Tc is measured on metal sleeve of micro-USB programming port in location specified above

Ordering Information

Product Code	Description
APT-CV4-VWC-SQ-yA-wwww	VWC – Wireless – Casambi BLE Mesh hardware version SQ – Square form factor yA – Antenna version (EA – embedded antenna, WA -whip antenna) wwww – Firmware code provided by Arkalumen

Configuration Code	Description
CBMn-0000-tttt-1Cxxx-2Cxxx-3Cxxx-4Cxxx	CBMn – Casambi BLE Mesh wireless control protocol 0000 – No base address to be specified tttt – Output control feature yCxxx – Channel-specific max current

Configuration Code Details

Code	Description	Option	Configuration Trait
CBMn	CBMn denotes wireless communication using Scheme Address Assignment n .	CBMn	Address Assignment Scheme n . See Schemes under Scheme Address Assignment on page 9.
tttt	tttt denotes the output control features enabled on the controller.	0000	Calibrated CCT mapping disabled.
		CALC	Calibrated CCT enabled. Calibrated CCT can be customized to output specific desired light metrics.
yCxxx	yCxxx denotes the maximum current for channel y as configured in the controller's firmware in 20mA increments.	1C###	Maximum current specified up to 3,200mA. e.g. -1C200-2C030-3C030-4C030-5C030 would specify 2000mA max current for channels 1, and 300mA for channels 2, 3 and 4.
		2C###	
		3C###	
		4C###	