

APT-CC-VX-SQ MODULES



Features

- > APT-CC controllers add advanced control features to constant current (CC) drivers
- > Integrated between the CC driver and LED modules, the DC modules are powered directly from the CC driver
- > Controlling 2 output channels, Correlated Color Temperature (CCT) can be calibrated precisely, independent of intensity
- > APT Programmer enables in-factory and in-field changes to control settings including CCT range and CCT mapping
- > Wired versions available with DMX512/RDM (VA) or isolated 0-10V ports (VC)
- > Wireless versions available (VWx) with Casambi BLE Mesh or Silvair BLE Mesh
- > Wireless controller versions available with either embedded antenna (EA) or whip antenna (WA)

Ordering Information

Product Code	Description
APT-CC-Vx-SQ-wwww	Vx – Hardware version SQ – Square form factor wwww – Internal code provided by Arkalumen as a simplified configuration code for repeat orders
Hardware Version	Functionality
VA	DMX512/RDM
VC	0-10V
VWx	Wireless – BLE Mesh

System Architecture

Design Requirements
1. Color mixing of light is produced by adjusting the intensity ratio between two LED channels. Therefore, the maximum current should be determined by the LED channel with the lower maximum current of the two.
2. Intensity control in APT-CC controllers requires the use of constant current drivers equipped with an isolated 0-10V dimming port. This requirement applies to the DMX/RDM (VA) and wireless (VWx) versions.
3. APT controllers are designed to work with a wide range of drivers, but a fixture manufacturer must test the APT controller for driver compatibility and ensure proper system operation before installation.
4. Contact Arkalumen for information on compatibility of drivers and overall system architectures. The light fixture manufacturer is responsible for testing of all third party components and the overall system before installation.

Contact Arkalumen for technical support at support@arkalumen.com

Arkalumen Products may be covered by patents in the US and elsewhere. www.arkalumen.com/patents

Warnings

1. Do not connect/disconnect input or output wiring while powered
2. Do not connect APT Programmer while APT controller is powered by DC power source
3. Follow ESD protection procedures while handling input or output wiring, and programming port
4. Do not attach an AC input to the APT controller; DC input only
5. Use only with a driver providing an isolated DC output (ie. the output has no earth or protective ground reference).
6. Read and respect all voltage, current and power limits outlined in the electrical specifications section of the hardware version being used
7. Carefully follow and check all wiring diagrams in this document for the correct hardware version being used

Operating Conditions

Environmental	
Ambient Temperature, Range	-40 to +50°C
Case Material	Plastic

Mechanical Specifications

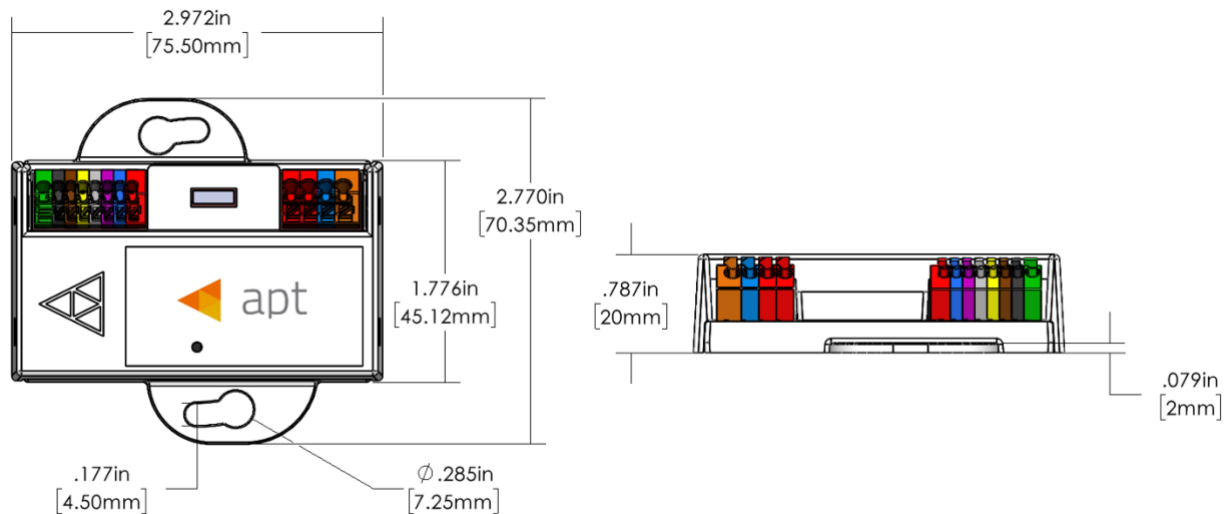


Figure 1 – APT-CC-Vx Mechanical Drawing



Dimensions	Inches
Length	6.20
Width	1.18
Height	0.78

APT-CC-VA-SQ MODULE (DMX512/RDM)

Electrical Specifications

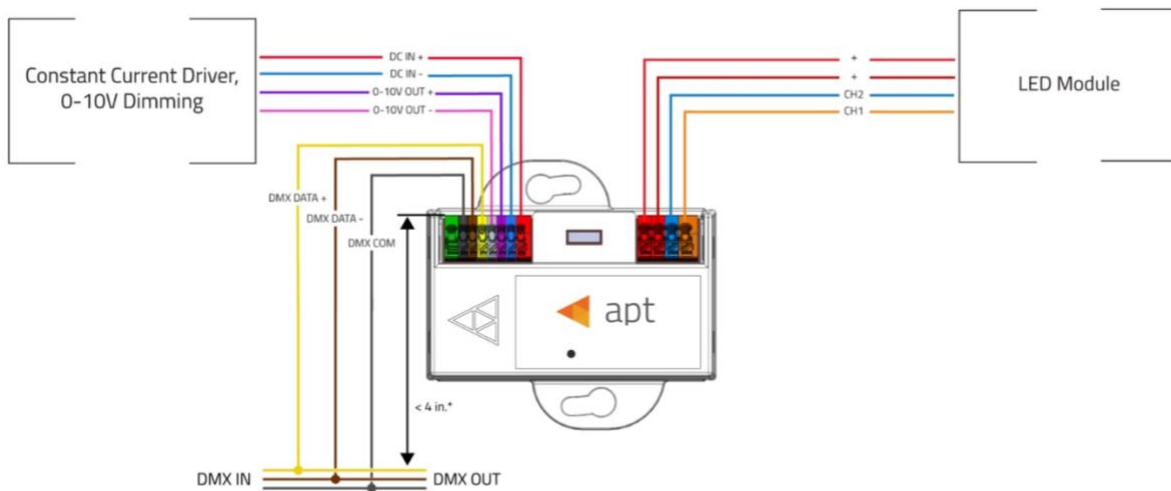
Input

Port	Voltage		Unit	Current		Unit	Power	
	Min	Max		Min	Max		Min	Max
DC IN +/-	10	60	V	60	4,100	mA	-	100
0-10V OUT +/-	0	12	V	0	90	μA	-	-
DMX DATA +/-	-10	15	V	-0.8	1	mA	-	-

Output

Port	Voltage		Unit	Current		Unit	Power	
	Min	Max		Min	Max		Min	Max
CH1	-	60	V	0	4,040	mA	-	100
CH2	-	60	V	0	4,040	mA	-	100

Wiring Diagram

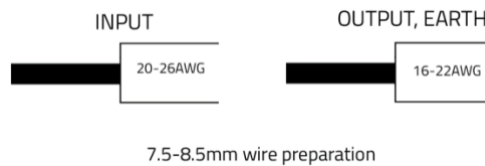


*If no DMX splitter or amplifier is used, splitting between DMX IN/OUT should be done within 4 inches of the APT controller input connector to prevent line reflectance.

Figure 2 – APT-CC-VA-SQ DMX Configuration

1. Please follow all best practices for DMX wiring to ensure correct operation of the system such as using shielded wires and proper termination resistance for DMX daisy chain.
2. APT controller acts as a floating device as per ANSI E1.11 – 2008. Use only with a driver with an output not referenced to earth or protective ground (ie. isolated output).
3. It is recommended that each fixture should have DMX IN and DMX OUT wires to allow for installation in a DMX daisy chain*.
**Exception for installations where a splitter or amplifier will be used for each DMX branch*
4. If no DMX splitter or amplifier is used, splitting between DMX IN/OUT should be done within 4 inches of the APT controller input connector to prevent line reflectance.

Wiring	AWG
Input	20-26
Output, Earth	16-22



Ordering Information

Product Code	Description
APT-CC-VA-SQ-<i>wwwww</i>	VA – DMX/RDM hardware version SQ – Square form factor <i>wwwww</i> – Internal code provided by Arkalumen as a simplified configuration code for repeat orders

Configuration Code	Description
<i>DMXn-Ammm-pppp-Hxxx-Lyyy</i>	<i>DMXn</i> – Number of DMX addresses assigned <i>Ammm</i> – Base DMX address <i>pppp</i> – Output control feature <i>Hxxx</i> – Max current threshold <i>Lyyy</i> – Min current threshold

Configuration Code Details

Code	Description	Option	Configuration Trait
<i>DMXn</i>	<i>DMXn</i> denotes DMX wired communication using <i>n</i> addresses.	DMX1	DMX wired communication using 1 DMX address
		DMX2	DMX wired communication using 2 DMX addresses
<i>Ammm</i>	<i>mmm</i> denotes the base address of the controller on a DMX bus.	A001	Lowest base address option
		A###	Base address specified between 1 and 512
		A512	Highest base address option
<i>pppp</i>	<i>pppp</i> denotes the output control features enabled on the controller.	IN00	Intensity control enabled, CCT control disabled
		00CT	Intensity control disabled, CCT control enabled
		INCT	Intensity and CCT control enabled
<i>Hxxx</i>	<i>xxx</i> denotes the maximum current as configured in the controller's firmware in 20mA increments.	0000	Intensity control disabled
		H###	Maximum current specified up to 4,100mA
		H410	Maximum current of 4,100mA (Default)
<i>Lyyy</i>	<i>yyy</i> denotes the minimum current as configured in the controller's firmware in 20mA increments.	0000	Intensity control disabled
		L###	Minimum current specified as low as 20mA
		L006	Minimum current of 60mA (Default)

APT-CC-VC-SQ MODULE (0-10V)

Electrical Specifications

Input

Port	Voltage		Current			Power	
	Min	Max	Min	Max	Unit	Min	Max
DC IN +/-	10	60 V	40	4,100	mA	-	100 W
0-10V IN (Sink)	0	20 V	98	104	μA	-	-
0-10V IN (Source)	0	20 V	0	300	μA	-	-

Output

Port	Voltage		Current			Power	
	Min	Max	Min	Max	Unit	Min	Max
CH1	-	60 V	0	4,060	mA	-	100 W
CH2	-	60 V	0	4,060	mA	-	100 W

Wiring Diagram

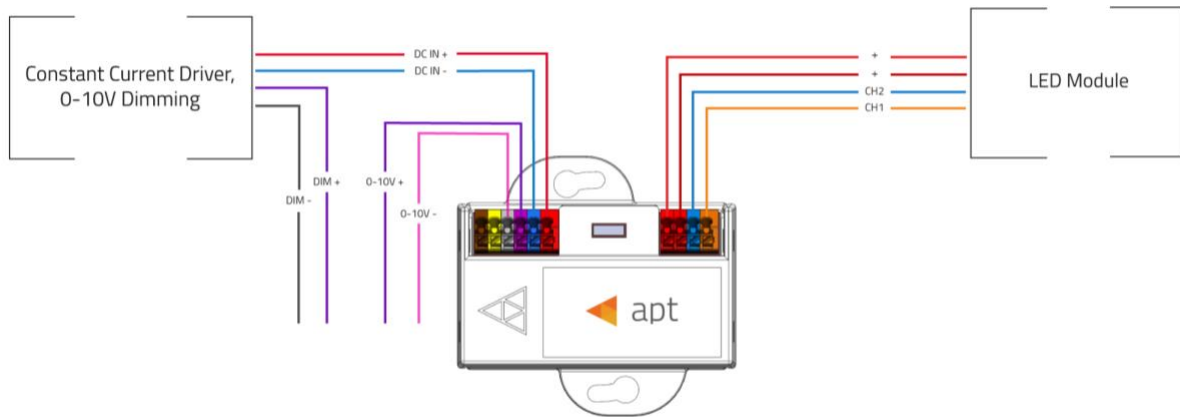


Figure 3 - APT-CC-VC-SQ 0-10V Configuration

Wiring	AWG
Input, Output	16-22

INPUT, OUTPUT



7.5-8.5mm wire preparation

Ordering Information

Product Code	Description
APT-CC-VC-SQ-<i>wwwww</i>	VC – 0-10V hardware version SQ – Square form factor <i>wwwww</i> – Internal code provided by Arkalumen as a simplified configuration code for repeat orders

Configuration Code	Description
CCTD-0000-00CT-0000-0000	CCTD – CCT control using a 0-10V dimmer 0000 – Reserved 00CT – CCT control enabled 0000 – Reserved 0000 – Reserved

The APT-CC-VC-SQ configuration code is static.

APT-CC-VWx-SQ MODULE (WIRELESS)

Electrical Specifications

Input

Port	Voltage		Unit	Current		Unit	Power	
	Min	Max		Min	Max		Min	Max
DC IN +/-	24	60	V	12	4,100	mA	-	100
0-10V OUT +/-	0	12	V	0	90	μA	-	-

Output

Port	Voltage		Unit	Current		Unit	Power	
	Min	Max		Min	Max		Min	Max
CH1	24	60	V	0	4,088	mA	-	100
CH2	24	60	V	0	4,088	mA	-	100

Wireless Operating Conditions ¹	
Maximum Transmitter Power	+4dBm
Operating Frequencies	2.4GHz
Maximum Open-Air Range	270m

Contains modular transmitter with FCC ID: X8WBM832, IC (Industrial Canada) ID: 4100A-BM832

Wireless signal range of the controller will decrease if placed in a metal enclosure or placed near other wireless devices operating at similar frequencies, keep the VWx controller at least 20cm away from other VWx controllers or wireless devices. The end product with this module may subject to perform FCC part 15 unintentional emission test requirement and be properly authorized.

This device is intended for OEM integrator only.

If used with ANT020 antenna or integrated PCB trace antenna, device does not require routine evaluation or SAR testing.

Wiring Diagram

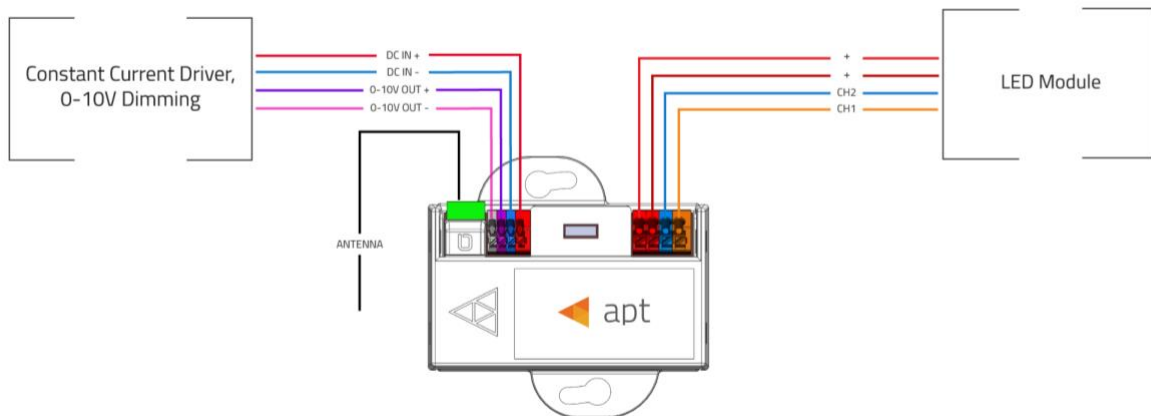
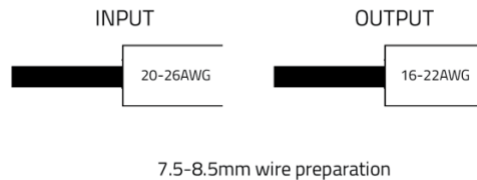


Figure 3 - APT-CC-VWx-SQ Wireless Communication Configuration

Wiring	AWG
Input	20-26
Output	16-22
Antenna	ANT020*

*Integrated embedded PCB trace antenna option available on request, ANT020 antenna does not come with device by default, please include request for antenna if necessary



Ordering Information

Product Code	Description
APT-CC-VWx-SQ-yA-wwww	VWx – Wireless - BLE Mesh hardware version (VWC – Casambi BLE, VWS – Silvair BLE) SQ – Square form factor yA – Antenna version (EA – embedded antenna, WA -whip antenna) wwww – Internal code provided by Arkalumen as a simplified configuration code for repeat orders

Configuration Code	Description
nnn-0000-pppp-Hxxx-Lyyy	nnn – Wireless communication source 0000 – Reserved pppp – Output control feature Hxxx – Max current threshold Lyyy – Min current threshold

Configuration Code Details

Code	Description	Option	Configuration Trait
nnn	nnn denotes the wireless communication source implemented.	CBM	Wireless via Casambi BLE Mesh
		SBM	Wireless via Silvair BLE Mesh
pppp	pppp denotes the output control features enabled on the controller.	IN00	Intensity control enabled, CCT control disabled
		00CT	Intensity control disabled, CCT control enabled
		INCT	Intensity and CCT control enabled
Hxxx	xxx denotes the maximum current as configured in the controller’s firmware in 20mA increments.	0000	Intensity control disabled
		H###	Maximum current specified up to 4,100mA
		H410	Maximum current of 4,100mA (Default)
Lyyy	yyy denotes the minimum current as configured in the controller’s firmware in 20mA increments.	0000	Intensity control disabled
		L###	Minimum current specified as low as 20mA
		L006	Minimum current of 60mA (Default)