

## APT-CC-VTR-BT-WCC MODULES



### Features

- > APT-CC-VTR controllers translate wireless control signals in order to control standard 0-10V dimmable constant current drivers
- > Powered directly from the same output of the constant current driver as the LEDs, no auxiliary power source is required
- > Wireless BLE Mesh to 0-10V (WvC) versions available with Casambi BLE Mesh (WCC)
- > Designed in a bolt (BT) form factor to allow for installation in any 0.75" cutout

### Ordering Information

Product Code	Description
<b>APT-CC-VTR -BT-WCC- <i>www</i></b>	<b>VTR</b> – Translator version <b>BT</b> – Bolt form factor <b>WCC</b> – Wireless Casambi BLE Mesh to 0-10V translation version <b><i>www</i></b> – Internal code provided by Arkalumen as a simplified configuration code for repeat orders

### System Architecture

Design Requirements
1. System requires the use of constant current drivers equipped with an isolated 0-10V dimming port.
2. APT controllers are designed to work with a wide range of drivers, but a fixture manufacturer must test the APT controller for driver compatibility and ensure proper system operation before installation
3. Contact Arkalumen for information on compatibility of drivers and overall system architectures. The light fixture manufacturer is responsible for testing of all third party components and the overall system before installation.

Contact Arkalumen for technical support at [support@arkalumen.com](mailto:support@arkalumen.com)

Arkalumen Products may be covered by patents in the US and elsewhere.  
[www.arkalumen.com/patents](http://www.arkalumen.com/patents)

### Mechanical Specifications

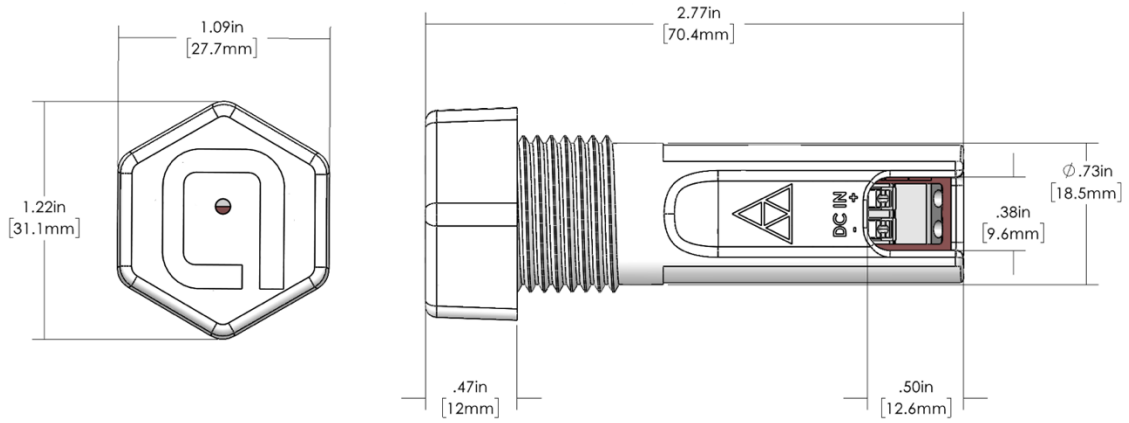


Figure 1 - APT-CC-VTR-BT-WCC Mechanical Drawing

Dimensions	Inches
Length	2.77
Width	1.09
Height	1.22

## Electrical Specifications

### Input

Port	Voltage		V	Current		mA	Power		W
	Min	Max		Min	Max		Min	Max	
DC IN +/-	24	60		5	12		0.12	0.72	

### Output

Port	Voltage		V	Current		μA	Power		W
	Min	Max		Min	Max		Min	Max	
DIM +/-	0	12		0	90		-	-	

## Wiring Diagram

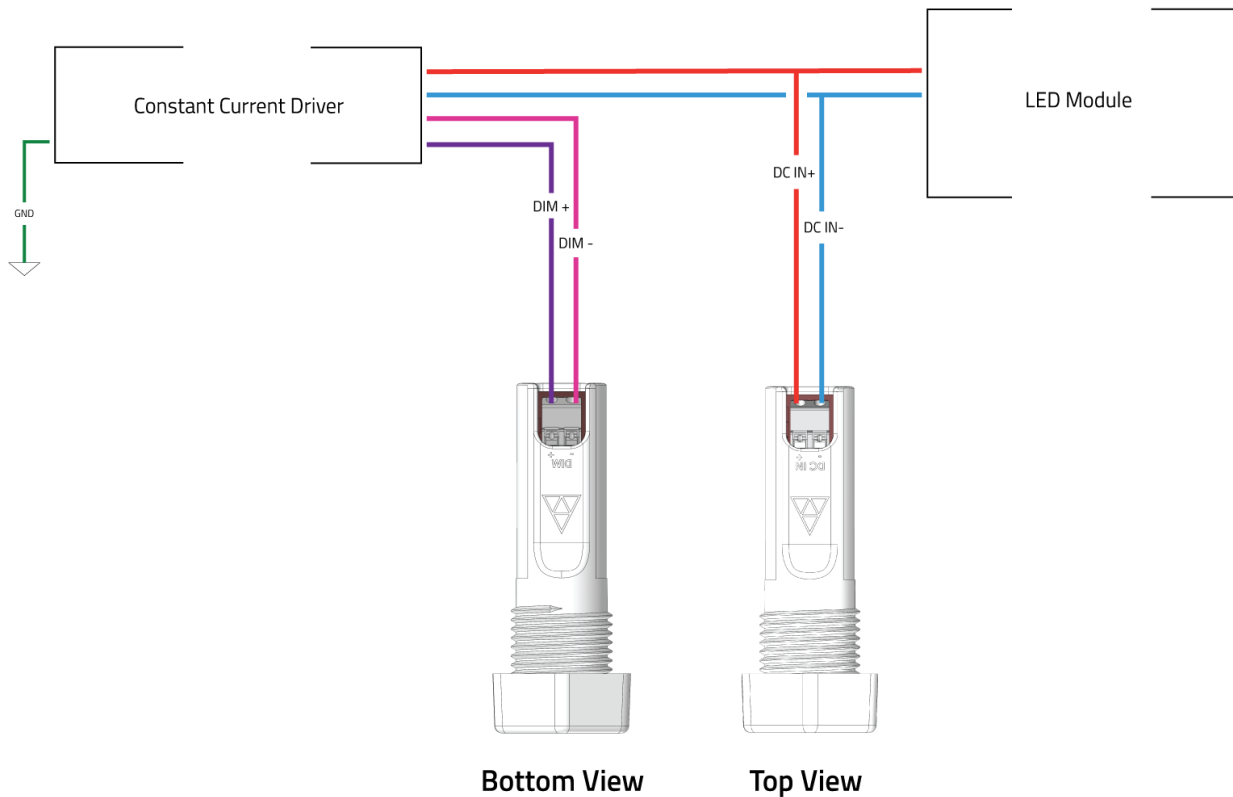


Figure 2 - APT-CC-VTR-BT-WCC Wireless BLE to 0-10V Configuration

### Ordering Information

Product Code	Description
<b>APT-CC-VTR-BT-WCC-<i>wwww</i></b>	<b>VW</b> – Wireless BLE <b>BT</b> – Bolt form factor <b>WCC</b> – Wireless Casambi BLE Mesh to 0-10V translation version <b>wwww</b> – Internal code provided by Arkalumen as a simplified configuration code for repeat orders

Configuration Code	Description
<b><i>nnn-ppp-0000-0000</i></b>	<b>nnn</b> – Wireless communication source <b>ppp</b> – Output control protocol <b>0000</b> – Max current determined by driver <b>0000</b> – Min current determined by driver

### Configuration Code Details

Code	Description	Option	Configuration Trait
<b><i>nnn</i></b>	<b><i>nnn</i></b> denotes the wireless communication source implemented.	<b>CBM</b>	Wireless via Casambi BLE Mesh
<b><i>ppp</i></b>	<b><i>ppp</i></b> denotes the output control protocol enabled on the controller.	<b>DIM</b>	0-10V output control protocol

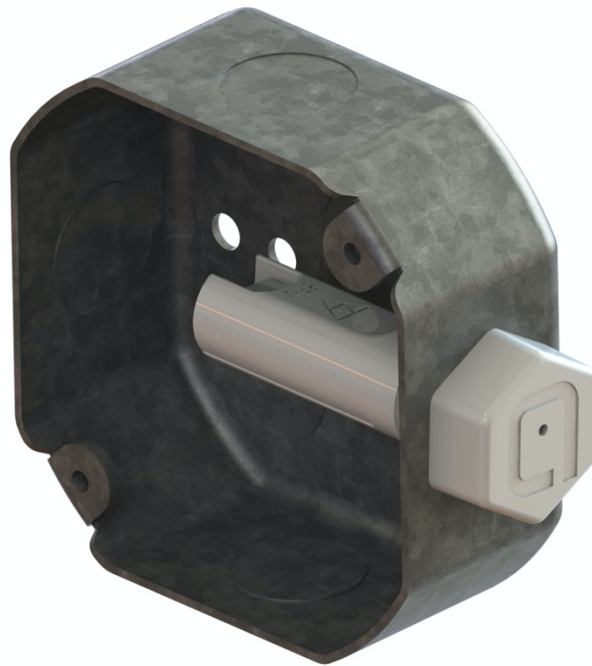


Figure 3 - APT-CC-VTR-BT-WCC Sample installation in junction box